



Network High Speed Dome Quick Setup Guide

NO:101-500-0269-01
Issue:1.1

Precautions

Fully understand this document before using this device, and strictly observe rules in this document when using this device. If you install this device in public places, provide the tip "You have entered the area of electronic surveillance" in an eye-catching place. Failure to correctly use electrical products may cause fire and severe injuries.

WARNING	It alerts you to moderate dangers which, if not avoided, may cause minor or moderate injuries.
CAUTION	It alerts you to risks. Neglect of these risks may cause device damage, data loss, device performance deterioration, or unpredictable results.
NOTE	It provides additional information.

WARNING

- Strictly observe installation requirements when installing the device. The manufacturer shall not be held responsible for device damage caused by users' non-conformance to these requirements.
- Strictly conform to local electrical safety standards and use power adapters that are marked with the LPS standard when installing and using this device. Otherwise, this device may be damaged.
- Use accessories delivered with this device. The voltage must meet input voltage requirements for this device.
- If this device is installed in places with unsteady voltage, ground this device to discharge high energy such as electrical surges in order to prevent the power supply from burning out.
- When this device is in use, ensure that no water or any liquid flows into the device. If water or liquid unexpectedly flows into the device, immediately power off the device and disconnect all cables (such as power cables and network cables) from this device.
- Do not focus strong light (such as lighted bulbs or sunlight) on

this device. Otherwise, the service life of the image sensor may be shortened.

- If this device is installed in places where thunder and lightning frequently occur, ground the device nearby to discharge high energy such as thunder strikes in order to prevent device damage.
- The laser from the laser high speed camera can not directly face the human eyes to avoid possible damage to the human eyes.
- Laser high-speed cameras' lasers may cause fire hazards when directly facing flammable objects within short distance, Please keep a certain safe distance during installation.

CAUTION

- Avoid heavy loads, intensive shakes, and soaking to prevent damages during transportation and storage. The warranty does not cover any device damage that is caused during secondary packaging and transportation after the original packaging is taken apart.
- Protect this device from fall-down and intensive strikes, keep the device away from magnetic field interference, and do not install the device in places with shaking surfaces or under shocks.
- Clean the device with a soft dry cloth. For stubborn dirt, dip the cloth into slight neutral cleanser, gently wipe the dirt with the cloth, and then dry the device.
- Do not jam the ventilation opening. Follow the installation instructions provided in this document when installing the device.
- Keep the device away from heat sources such as radiators, electric heaters, or other heat equipment.
- Keep the device away from moist, dusty, extremely hot or cold places, or places with strong electric radiation.
- If the device is installed outdoors, take insect- and moisture-proof measures to avoid circuit board corrosion that can affect monitoring.
- Remove the power plug if the device is idle for a long time.
- Before unpacking, check whether the fragile sticker is damaged. If the fragile sticker is damaged, contact customer services or sales personnel. The manufacturer shall not be held responsible for any artificial damage of the fragile sticker.

Special Announcement

- All complete products sold by the manufacturer are delivered along with nameplates, quick setup guide and accessories after strict inspection. The manufacturer shall not be held responsible for counterfeit products.
- The manufacturer will update this manual according to product function enhancement or changes and regularly update the software and hardware described in this manual. Update information will be added to new versions of this manual without prior notice.
- This manual may contain misprints, technology information that is not accurate enough, or product function and operation description that is slightly inconsistent with the actual product, the final interpretation of company is as a standard.
- This manual is only for reference and does not ensure that the information is totally consistent with the actual product. For consistency, see the actual product.

NOTE

For more information, please refer to website.

1 Open Package Examination

Open the package, check the appearance of product for no obvious damage, and confirm the item list for table 1-1 is consistent.

Table 1-1 Packing list

Component	Quantity	Remark
High Speed Dome Camera	1	
Quick Setup Guide	1	
Power adapter	1	
Power wire	1	
A pair of gloves	1	
Wall mount bracket	1	Optional
L Wrench	1	
Stainless hexagon screw	3	
Expansion bolt	4	

2 Device Structure

2.1 Device Ports

NOTE

Different devices may have different multi-head cables; Please refer to the actual product.

Figure 2-1 Multi-head cable

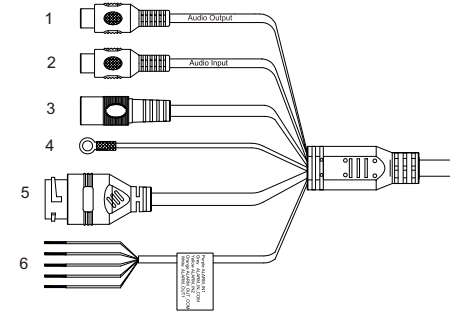


Table 2-1 Multi-head cable description

ID	Core	Function	Description
1	N/A	Audio output	Connect to an external audio device such as a speaker.
2	N/A	Audio input	Receive an analog audio signal from devices such as a sound pickup device
3	N/A	Supply power	DC12V
4	Yellow green	Grounding wire	Connect to ground.
5	N/A	Network interface	Connect to a standard Ethernet cable.
6	Purple	Alarm input 1	Alarm input and alarm output ports.
	Gray	Alarm input COM	
	Yellow	Alarm input 2	
	Orange	Alarm output COM	
	White	Alarm output 1	

2.2 Camera Dimensions

NOTE

Different devices may have different dimensions; Please refer to the actual product.

Figure 2-2 Dimensions (Unit :mm)

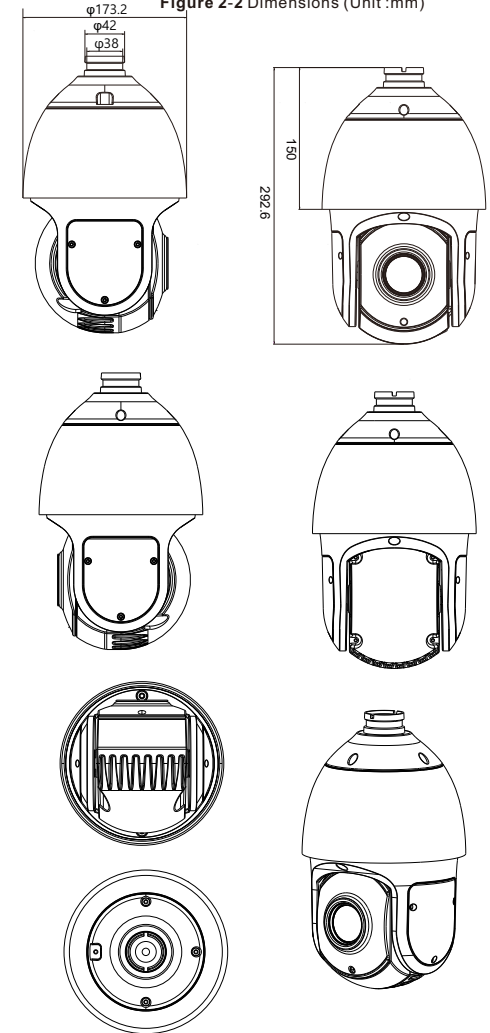
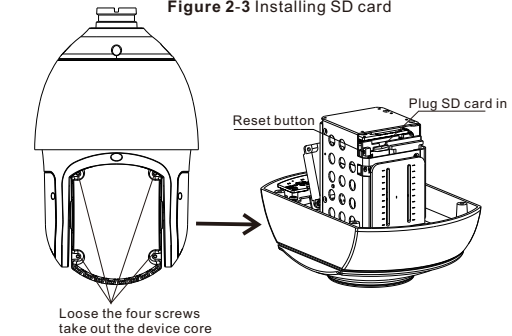


Figure 2-3 Installing SD card

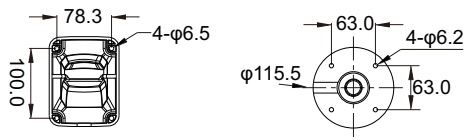


3 Device Installation

Installation Steps:

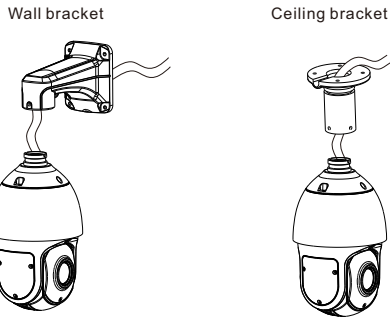
Step 1 Please make the mark based on bracket dimensions for drilling the hole. Drill four φ8 holes over 60 mm depth, and drive the plastic anchors into the holes.

Figure 3-1 Bracket dimensions(unit:mm)



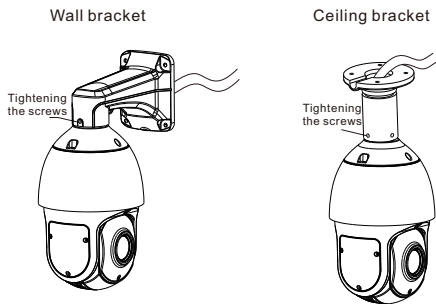
Step 2 Thread all cables through the cable hole on the side of the bracket, as shown in the figure 3-2.

Figure 3-2 Aligning the screw holes



Step 3 Attach the high speed dome to the bracket, the tighten the three screws, as shown in figure 3-3.

Figure 3-3 Fixing the bracket and dome



Step 4 Mount the high speed dome to the wall or ceiling and tighten the four expansion bolts on the bracket completely.

NOTE

If the high-speed camera is a laser camera, the laser can't directly face the human eyes, and it can't illuminate directly the flammable object. It needs to keep a certain safe distance to avoid fire.

4 Quick Configuration(e.g IE)

4.1 Login

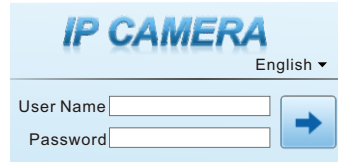
Step 1 Open the Internet Explorer, enter the IP address of IP camera (default value: 192.168.0.120) in the address box, and press Enter. The login page is displayed as shown in figure 4-1.

Step 2 Input the user name and password.

NOTE

- The default user name is admin. The default password is admin. Change the password when user logs into the system for first time to ensure system security.
- You can change the system display language on the login page.

Figure 4-1 Login



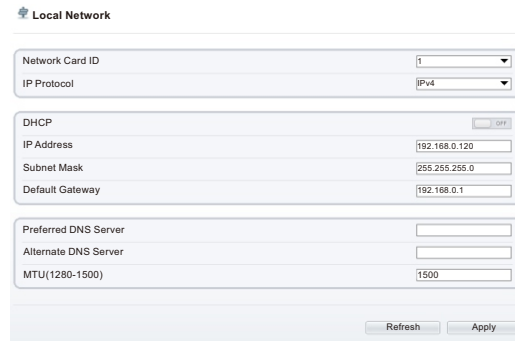
Step3 Click Login, the main page is displayed.

4.2 Modify IP address

Choose **Configuration > Device > Local Network**, the **Local Network** page is displayed. Enter the IP address in the IP Address box and click **Apply** as shown in figure 4-2.

After the success of the IP address setting, please use the new IP address to log in the Web interface.

Figure 4-2 Local Network



4.3 Browsing Video

To ensure the real-time video can be played properly, you must perform the following operation when you log in the web for the first time:

If you can view the video directly, please ignore the step of adding trusted sites.

Step 1 Open the Internet Explorer. Choose **Tools > Internet options > Security > Trusted sites > Sites**, in the display dialog box, click **Add**, as shown in figure 4-3.

Step 2 In the Internet Explorer, choose **Tool > Internet Options > Security > Customer level**, and set **Download unsigned ActiveX control and initialize and script ActiveX controls not marked as safe for scripting under ActiveX controls and plug-ins to Enable**, as shown in figure 4-4.

Figure 4-3 Adding a trusted site

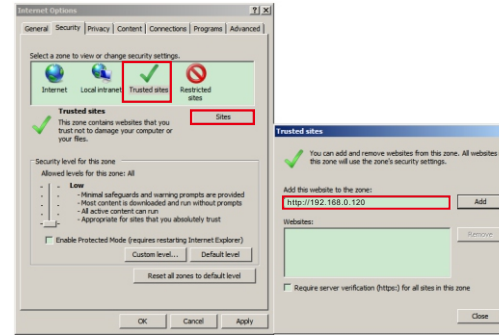
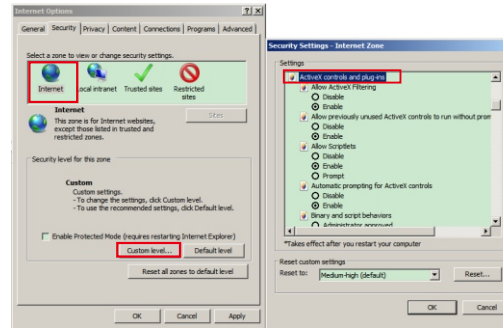


Figure 4-4 Configuring ActiveX control and plug-in



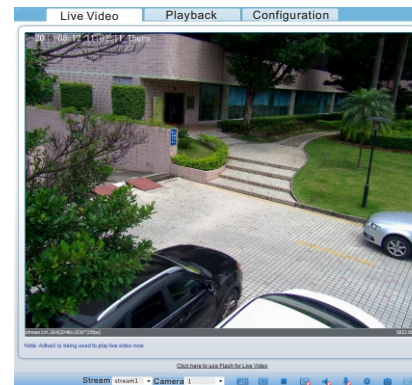
Step 3 Download and install the player control as prompted.

NOTE

If the repair tips displayed when installing the control, please ignore the prompt, and continue the installation, the login page is displayed when the control is loaded.

To browse a real-time video, click Live Video. The Live Video page is displayed, as shown in figure 4-5.

Figure 4-5 Live Video



4.4 Two-way audio

NOTE

Partial cameras do not support two-way audio, this section do not apply.

4.4.1 Camera ↔ PC

Connection:

- Step 1 Connect microphone to audio input interface of camera.
- Step 2 Connect speaker to the PC audio output interface.
- Step 3 Log in camera Web, click to turn on two-way audio.

4.4.2 PC ↔ Camera

- Step 1 Connect microphone to PC audio input interface.
- Step 2 Connect speaker to camera audio out interface.
- Step 3 Log in camera Web, click to turn on two-way audio.

4.5 Alarm Configuration

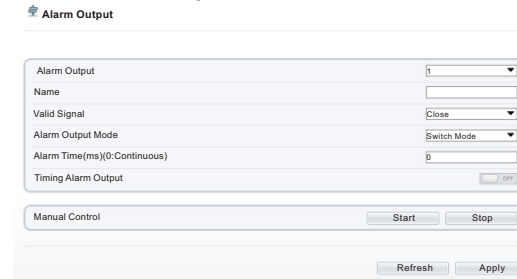
NOTE

Partial cameras do not support alarm, this section do not apply.

Alarm input and Alarm output connection:

- Step 1 Connect alarm input device to Alarm IN0 and Alarm COM0 of multi-head cable.
- Step 2 Connect alarm output device to Alarm OUT1 and Alarm COM1 of multi-head cable, alarm output interface can connect to normal open device only.
- Step 3 Log in Web, Choose **Configuration> Alarm > Alarm output**, set the parameters as shown in figure 4-6.
- Step 4 Choose **Configuration > Alarm > I/O Alarm Linkage**, enable the I/O Alarm and set the parameters of Schedule Setting.

Figure 4-6 Alarm



I/O Alarm Linkage

